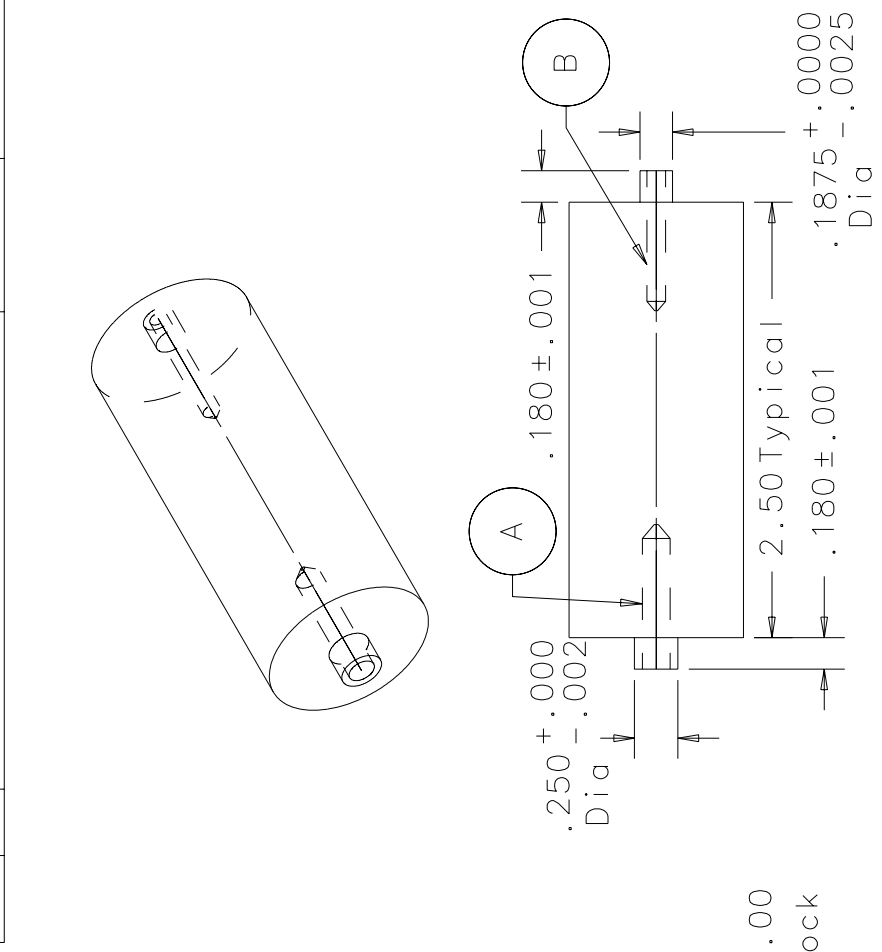


DWG. NO. SH REV.

REVISIONS			
ZONE	REV	DATE	APPROVED



Notes

- A: 10-32 UNF Threaded Hole 0.75 Min Deep
- B: 6-32 UNC Threaded Hole 0.75 Min Deep

Stock
 $\phi 1.00$

QTY REQD	FSCM NO	PART OR IDENTIFYING NO	NOMENCLATURE OR DESCRIPTION	MATERIAL SPECIFICATION	ITEM NO
			PARTS LIST	Aluminum	
UNLESS OTHERWISE SPECIFIED DIMENSIONS ARE IN INCHES TOLERANCES ARE:			CONTRACT NO.		
FRACTIONS DECIMALS ANGLES			ME72 Assignment #0		
+ .XX= ±			TITLE		
.XXX= ±			Mandrel Assigned:		
DO NOT SCALE DRAWING			Mandrel Due:		
TREATMENT			APPROVALS		
FINISH			DRAWN		
SIMILAR TO			CHECKED		
ACT. WT			ISSUED		
CALC WT			SIZE FSCM NO. DWG NO.		
			A		
			SCALE		
			2-Oct-1995		
			SHEET 1 of 1		

Put your Name on a piece of Masking Tape on the Mandrel when you turn it in.