

Figure 1: Battery Pack Connector: 6-Position Modular Connector.

$+V_{Battery}$	$-V_{Battery}$	Not used	$-V_{Battery}$	$+V_{Battery}$	Not used
Blue	Yellow	Green	Red	Black	White

Figure 2: Battery Pack Cable Color-code. This grey cable is supplied in the kit of materials, and has a 6-position connector shown in Figure 1 (above) molded on the end.

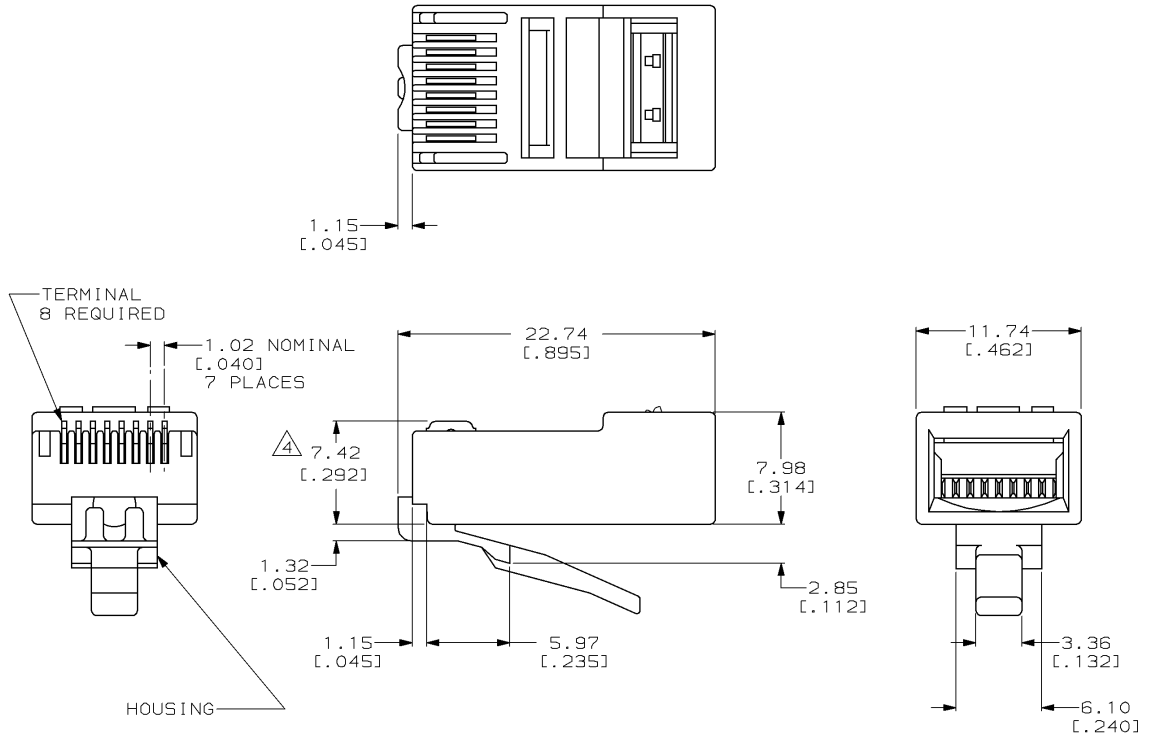


Figure 3: Power Output Connector: 8-Position Modular Connector.

Channel A		Channel B		Channel C		Channel D	
$\pm V_{Controlled}$	Blue/White	$\pm V_{Controlled}$	Green	$\pm V_{Controlled}$	Orange	$\pm V_{Controlled}$	Brown/White
Return	Blue	Return	Green/White	Return	Orange/White	Return	Brown

Figure 4: Power Output Cable Color-code. This blue cable is supplied in the kit of materials, and has a 8-position connector shown in Figure 3 (above) molded on the end.